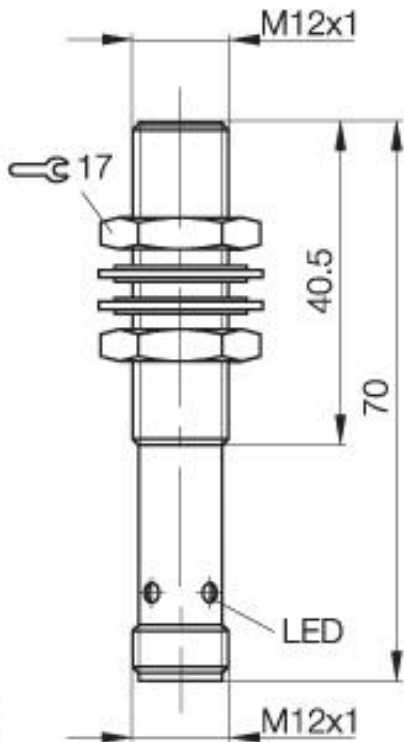


**Inductive Sensors
BES 516-118-S 4-C
M12x1 x 70
Complementary
Sn=2mm
shielded**



PX1992

Common Data

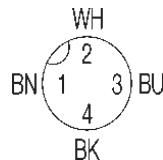
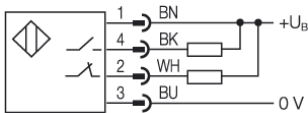
| | |
|--------------------------------|-------------|
| Mounting in steel | shielded |
| Rated operating distance Sn | 2mm |
| Assured operating distance Sa | 0...1.6mm |
| Repeatability R | ≤ 10% |
| Hysteresis | ≤ 15% |
| Function indication | yes |
| Ambient temperature range | -25...+70°C |
| Polution Degree | 3 |
| Time delay before availability | ≤ 10ms |

Mechanical Data

| | |
|---|-----------------------|
| Measurements BxHxT or DxT | M12x1 x 70mm |
| Housing material | stainless steel |
| Material of sensing face | PA 12 |
| Degree of protection | IP68 acc. BWN Pr 20IP |
| Connection | Connector S4 (M12) |
| Shock: Halfsinus, 30 gn, 11ms | |
| Vibration: 55 Hz, 1mm Amplitude, 3 x 30 Minutes | |

Electrical Data

| | |
|-------------------------------------|---------------|
| Current type | DC |
| Wiring | 4-Wire |
| switching function | Complementary |
| Output signal | NPN |
| Rated operational voltage | 24 DCV |
| Rated operational current | 200mA |
| Supply voltage | 10...30 DCV |
| Ripple | ≤ 15% |
| max. switching frequency | 800Hz |
| No-load supply current | ≤ 32/≤ 20mA |
| Off-state current | ≤ 80µA |
| Voltage drop | ≤ 2.5/-V |
| Short circuit protection | yes |
| Protected against polarity reversal | yes |



Utilization categories
Insulation class

DC 13
II

Datasheet number:

Definitions see general catalog.
If not otherwise noted, ratings according to
IEC 60947-5-2 (DIN EN60947-5-2)

Balluff GmbH
Schurwaldstrasse 9
73765 Neuhausen a.d.F.
Phone (07158) 173-0 Fax (07158) 5010

Datenblatt by CD-ROM - 04/2007

BALLUFF
sensors worldwide